

VCD-Series

Enjoy the ultimate in comfort and efficiency with the VCD-Series cold-climate air source heat pump. With an inverter-driven compressor, the VCD-system fully modulates to use the least amount of energy possible to maintain temperature, while at the same time optimizing sound levels and comfort. Hyper heat performance down to -22°F (-30°C) means the heat pump has world-class operating parameters in all weather conditions—and the optional electric auxiliary heat kits provide further peace of mind.

FEATURES

- Aluminum-alloy traditional fin-and-tube coil construction for maximum durability and corrosion resistance
- Efficient and quiet ECM blower motor
- Accepts traditional 24VAC thermostats for convenience and advanced control options
- Wired programmable control included
- Optional electric resistance heat kits (up to 25kW) provides auxiliary heat source for comfort during the worst conditions
- Beautiful and durable gloss enameled-steel construction with insulated construction provides less than 2% cabinet leakage
- Built-in return filter rack:
24K = 16" x 20" x 1"
30-48K = 20" x 20" x 1"
60K = 24" x 20" x 1"
- Multi-position air handler



Wired programmable control



EXTREME PERFORMANCE COLD WEATHER HEAT PUMP

2 to 5 Tons

Five models to choose from
24,000 to 60,000 BTUH



COOLING

-22°F (-30°C) – 122°F (50°C)

HEATING

-22°F (-30°C) – 75°F (24°C)



Comfort-Aire®

Warranty—10 years on compressor, 10 years on parts
(Some limitations apply; see printed warranty for details.)

www.comfort-aire.com

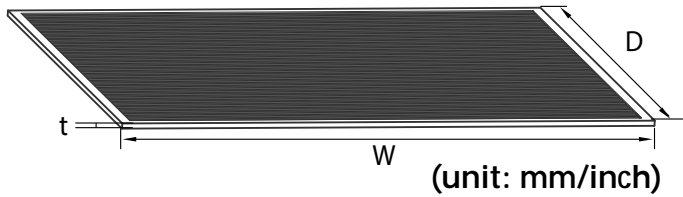
MULTI-POSITION AIR HANDLER

Ducted Units							
FEATURES			B-VCD24SA-1	B-VCD30SA-1	B-VCD36SA-1	B-VCD48SA-1	B-VCD60SA-1
Power supply	Rated	V, Ph, Hz	208/230, 1, 60	208/230, 1, 60	208/230, 1, 60	208/230, 1, 60	208/230, 1, 60
	Voltage range	V	187-253	187-253	187-253	187-253	187-253
Cooling	Rated Capacity (range)	Btu/h	24,000(6,400~27,000)	30,000(10,000~33,600)	36,000(13,000~47,400)	47,000(15,000~48,000)	55,000(14,000~56,000)
	Input power	W	2050	3060	3673	5731	6280
	Rated current	A	9.10	13.20	15.97	24.95	27.40
	EER2	Btu/w	11.7	10.00	10.00	8.2	8.8
	SEER2	Btu/w	17.4	16.2	16	15.6	15.3
Heating at 47°	Rated Capacity (range)	Btu/h	24,000(10,100~31,000)	33,000(11,500~37,000)	40,000(11,000~57,200)	50,000(11,000~55,000)	55,000(13,400~69,000)
	Input power	W	2100	2930	3448	4652	5060
	Rated current	A	9.30	13.30	15.00	21.20	22.00
	COP	W/W	3.35	3.30	3.36	3.15	3.42
	HSPF4 2	Btu/w	10.00	8.9	9.5	9.4	9.4
Heating at 5° (-15°)	HSPF5	Btu/w	8.00	7.00	7.80	7.70	7.6
	Capacity	Btu/h	24,130	28,550	38,890	47,060	51,981
	COP	W/W	1.91	1.77	1.97	1.90	1.91
The Rated Input Current of The Power Conversion Equipment		A	3.0	3.5	3.5	3.5	3.5
MINIMUM CIRCUIT AMPACITY (Indoor unit)		A	4.0	4.5	5.0	7.5	9.0
MAX. FUSE (Indoor unit)		A	15	15	15	15	15
MAX. FUSE (Outdoor unit)		A	35	35	50	50	60
Indoor air flow (Hi/Mi/Lo)		CFM	758.82/694.12/629.41	894.12/805.88/711.76	1082.35/970.59/864.71	1282.35/1094.12/905.88	1582.35/1358.82/1135.29
Indoor noise level (Hi/Mi/Lo)		dB(A)	39/36/33	42/40.5/36.5	45/43/41	50/47/43.5	51/45.5/41.5
Indoor unit	Dimension (W×D×H)	inch	21.02x17.52x45.00	21.02x21.02x49.02	21.02x21.02x49.02	21.02x21.02x49.02	21.02x24.49x52.99
	Packing (W×D×H)	inch	25.20x20.87x50.39	25.20x24.41x54.33	25.20x24.41x54.33	25.20x24.41x54.33	27.95x26.77x56.60
	Net/Gross weight	lbs.	105.60/127.43	129.19/155.64	129.19/155.64	130.51/156.31	162.70/190.70
Refrigerant piping	Liquid side/Gas side	inch	3/8" / 3/4"	3/8" / 3/4"	3/8" / 3/4"	3/8" / 3/4"	3/8 x 7/8
Drainage water pipe diameter		inch	3/4	3/4	3/4	3/4	3/4
Thermostat type	Wireless remote controller		Standard	Standard	Standard	Standard	Standard
	Wired Controller		n/a	n/a	n/a	n/a	n/a
	Programmable wired Controller		Standard	Standard	Standard	Standard	Standard
WiFi			Optional	Optional	Optional	Optional	Optional
Application area (cooling Standard)		sq.ft	344.44~505.90	430.56~635.07	516.67~753.47	688.89~1011.81	861.12-1270.14
Certification	Performance	AHRI	Yes	Yes	Yes	Yes	Yes
		E*Star	Yes	-	-	-	-
		NEEP	Yes	Yes	Yes	Yes	Yes
	Safety	UL	Yes	Yes	Yes	Yes	Yes
		ETL	-	-	-	-	-
		CSA	-	-	-	-	-

Auxiliary Heat Kits									
	Power of Electric Heater	Number of Circuits	Voltage	Circuit 1 MCA	Circuit 2 MCA	Circuit 3 MCA	Circuit 1 Max. Fuse	Circuit 2 Max. Fuse	Circuit 3 Max. Fuse
Optional Electric Heater	ECD8KW	1	208/230V	37A/42A	-	-	40A/45A	-	-
	ECD10KW	1	208/230V	46A/53A	-	-	50A/60A	-	-
	ECD15KW	2	208/230V	23A/27A	46A/53A	-	25A/30A	50A/60A	-
	ECD20KW	2	208/230V	46A/53A	46A/53A	-	50A/60A	50A/60A	-
	ECD25KW	3	208/230V	23A/27A	46A/53A	46A/53A	25A/30A	50A/60A	50A/60A

Model Size Selection					
Model (Btu/h)	8kW	10kW	15kW	20kW	25kW
24K	Yes	Yes	Yes	-	-
30K	Yes	Yes	Yes	-	-
36K	Yes	Yes	Yes	Yes	-
48K	Yes	Yes	Yes	Yes	-
60K	-	Yes	Yes	Yes	Yes

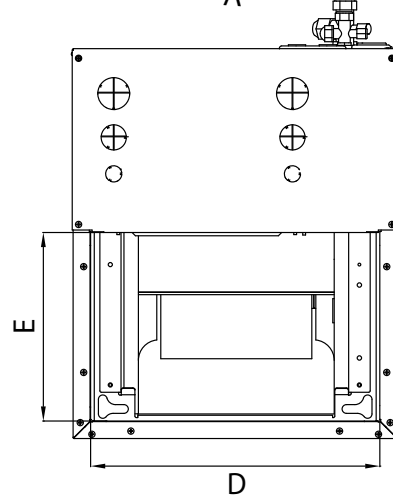
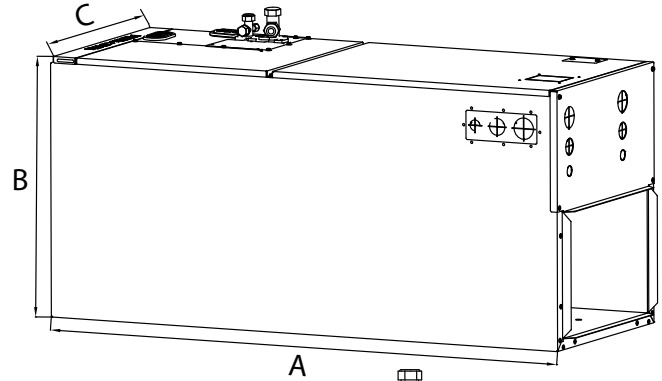
Recommended Size of Filter



(unit: mm/inch)

Model (Btu/h)	W		D		T	
	mm	inch	mm	inch	mm	inch
24K	406.4	16	508	20	25.4	1
30&36K	495.3	19-1/2	508	20	25.4	1
48&60K	584.2	23	508	20	25.4	1

DIMENSIONAL DRAWINGS

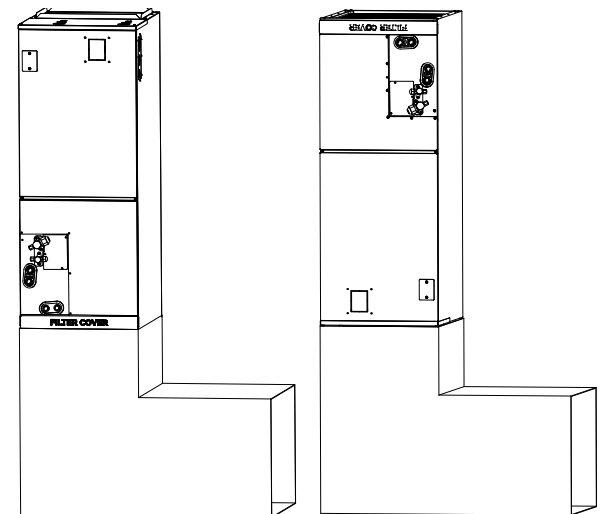


Dimensional Data

(unit: mm/inch)

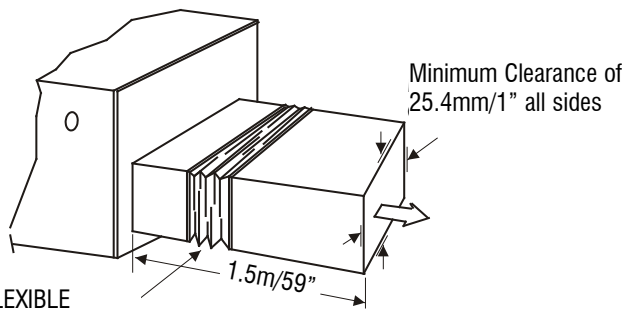
Model (Btu/h) Dimensions		24K	30K~48K	60K
Length of A	mm	1143	1245	1346
	inch	45	49	53
Length of B	mm	533	533	533
	inch	21	21	21
Length of C	mm	445	534	622
	inch	17-1/2	21-1/50	24-1/2
Length of D	mm	400	490	580
	inch	15-3/4	19-5/16	22-27/32
Length of E	mm	260	260	260
	inch	10-1/4	10-1/4	10-1/4

Vertical Installations



Horizontal Installations

Plenum Clearances



The outlet side pipe length is 1.5m/59".

Comfort-Cure®

COILS

Coils				
Model	Width (in.)	Depth (in.)	Height (in.)	Weight (lbs.)
MCD18/24B1A	17-1/2	21	18	52
MCD30/36C1A	21	21	24	76
MCD48C1A	21	21	24	77
MCD60D1A	24	21	28	95



NOTE: AHRI combinations with MCD-Series Coils and VCD systems are “coil-only” matches, and result in lower SEER2, EER2, and HSPF2 ratings than with matching air handler. Review latest match information on www.marsdeliversratings.com before installation.

OUTDOOR UNIT

FEATURES	A-VCD24SA-1	A-VCD30SA-1	A-VCD36SA-1	A-VCD48SA-1	A-VCD60SA-1
Power Supply	208/230V,1Ph,60Hz	208/230V,1Ph, 60Hz	208/230V,1Ph, 60Hz	208/230V,1Ph, 60Hz	208/230V,1Ph, 60Hz
Cooling Capacity (BTUH)	24,000	30,000	36,000	47,000	55,000
SEER2	17.4	16.2	16	15.6	15.3
EER2	11.7	10.0	10.0	8.2	8.8
HSPF4 2	10	8.9	9.5	9.4	9.4
COP	3.35	3.30	3.36	3.15	3.42
Cooling Amps	9.10	13.20	15.97	24.95	27.40
Heating Cap. (BTUH) @ 47°F	24,000	33,000	40,000	50,000	59,000
Heating Amps	9.30	13.30	15.0	21.20	22.0
Outdoor DBA	62	60.5	64	64	63.5
OUTDOOR UNIT DIMENSIONS					
Width (inches)	37.24	37.24	37.48	37.48	37.48
Height (inches)	31.89	31.89	52.48	52.48	52.48
Depth (inches)	16.14	16.14	16.34	16.34	16.34
Net Wt/Shipping Wt (lbs.)	136.69	159.83	227.07	220.24	239.86/271.61
ELECTRICAL DATA OUTDOOR UNIT †					
Main Power Connection	Outdoor Unit 208/230-1-60				
Min. Circuit Ampacity	20.5	23	41	42	42
Max. Fuse/HACR Circuit Breaker	35	35	50	50	60
Indoor/Outdoor Connecting Cable Type	14AWG / 4 conductor 600V THHN unshielded stranded bare copper				
LINE SETS O.D. (inch)					
LINE SETS O.D. (inch)	3/8 x 3/4	3/8 x 3/4	3/8 x 3/4	3/8 x 3/4	3/8 x 7/8
Max. Line Set Length ¹	164	213	213	213	213
Max. Elevation (outdoor) ²	82	98	98	98	98

† Always follow local, state and national electrical codes

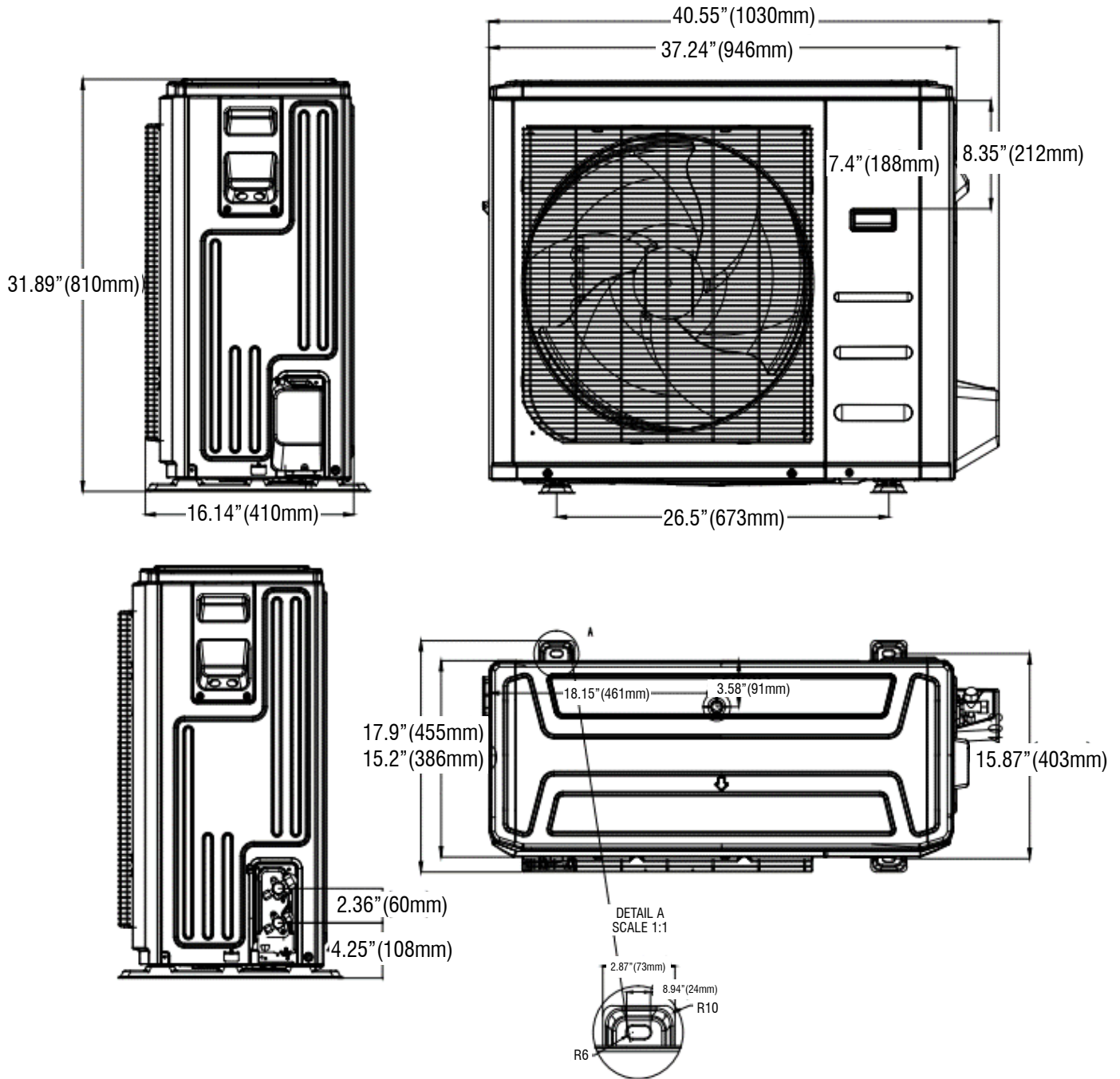
¹ Min. 10 ft. line set recommended

² Oil traps should be installed every 16.5 to 23 feet (5-7m) when the outdoor unit is installed above the indoor unit



DIMENSIONAL DRAWINGS

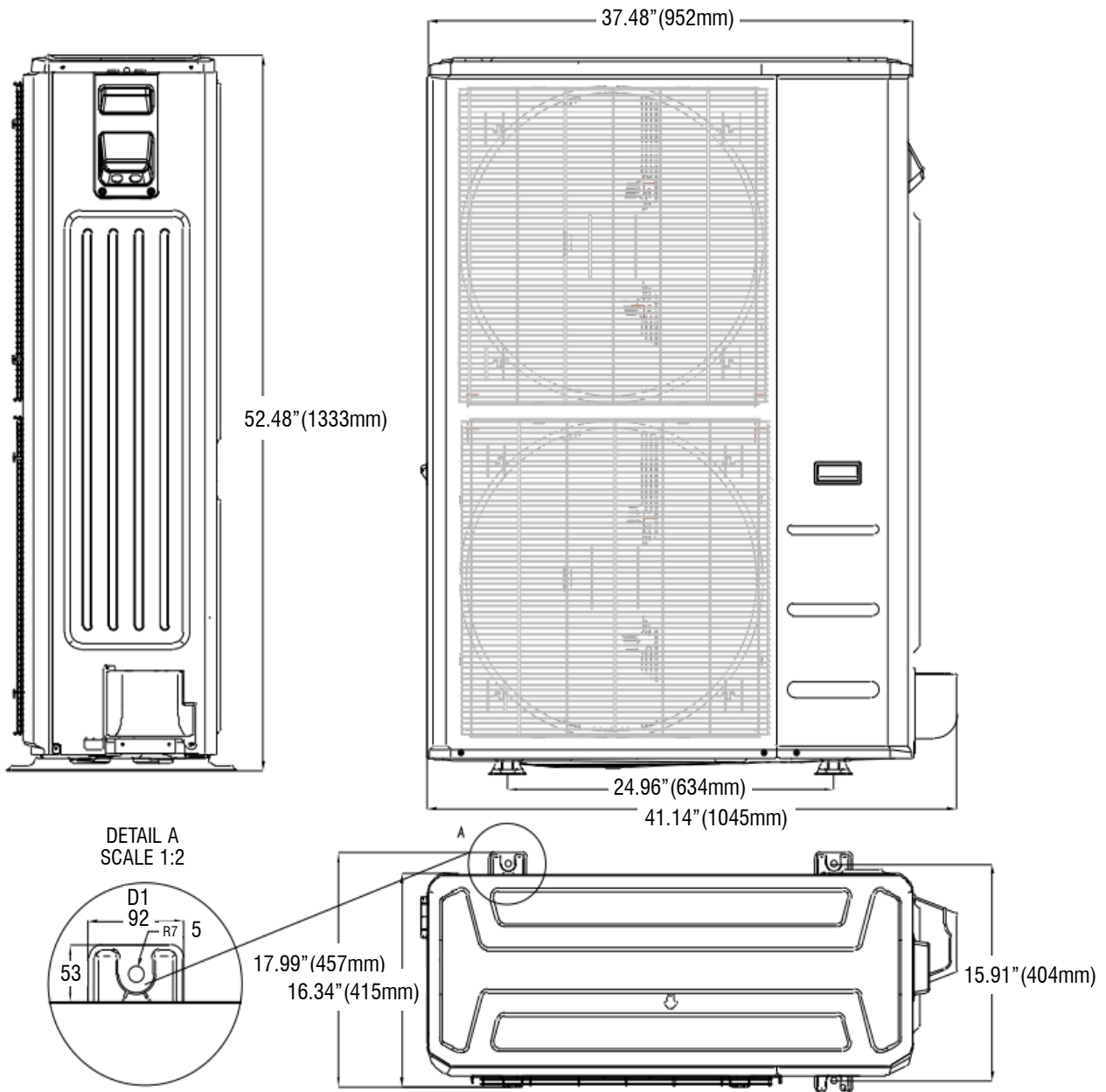
Outdoor Unit Dimensions - 24K & 30K



Comfort-Cire®

DIMENSIONAL DRAWINGS

Outdoor Unit Dimensions - 36K - 60K



Due to ongoing product improvements, specifications and dimensions are subject to change and correction without notice or incurring obligations. Determining the application and suitability for use of any product is the responsibility of the installer. Additionally, the installer is responsible for verifying dimensional data on the actual product prior to beginning any installation preparations. Third party incentive and rebate programs have precise requirements as to product performance and certification. All products meet applicable regulations in effect on date of manufacture; however, certifications are not necessarily granted for the life of a product. Therefore, it is the responsibility of the applicant to determine whether a specific model qualifies for these incentive/rebate programs.

"This product complies with all California product labeling laws including, but not limited to, the Safe Drinking Water and Toxic Enforcement Act of 1986, more commonly known as Proposition 65."